



The robust IP65 Junction Box **JB 2.5 & JB 6**





The robust IP65 Junction Box **JB 2.5 & JB 6**

GENERAL

- ❑ Protection degree : IP65
- ❑ Approvals
 - CEBEC : NBN C68-685-2-0
 - NBN C68-685-1
 - VDE : 0606 Teil 1
 - KEMA : IEC 670
- ❑ Color RAL 7035
- ❑ Material : resists to the incandescent wire test (750°C)
- ❑ Halogen-free
- ❑ Flexible entries : reliable, even after several years
- ❑ Total insulation
- ❑ Universal :

JB 2.5	JB 6
- tubes 5/8 & 3/4	tubes 5/8 & 3/4
- cables Ø 20mm	cables Ø 20mm
-	cable glands PG16

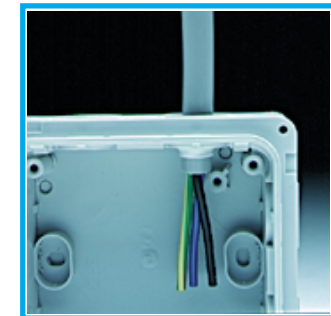
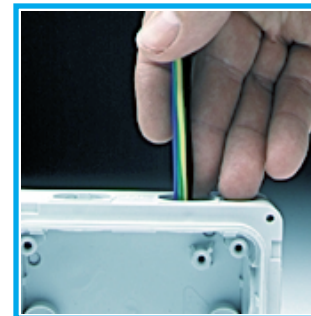
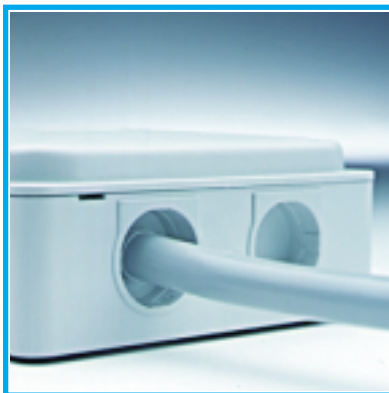
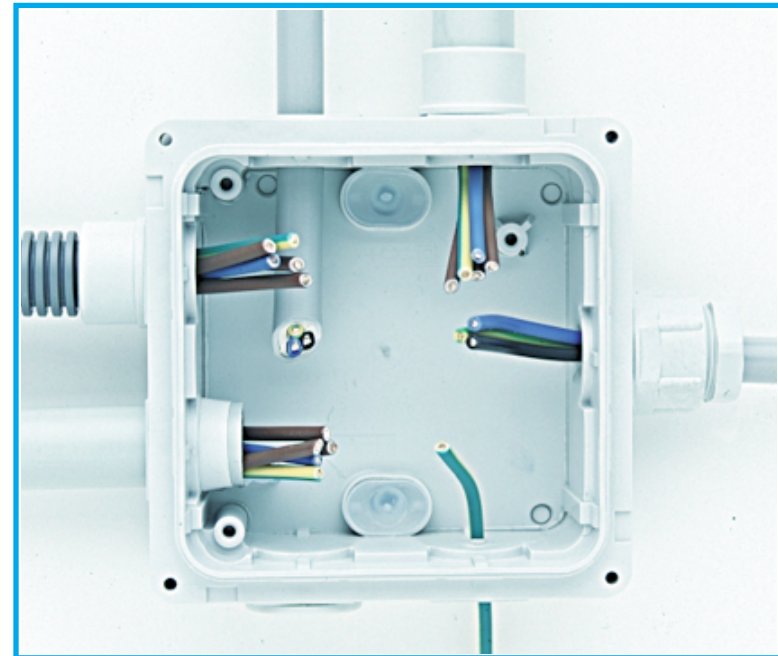




The robust IP65 Junction Box **JB 6**

BASE

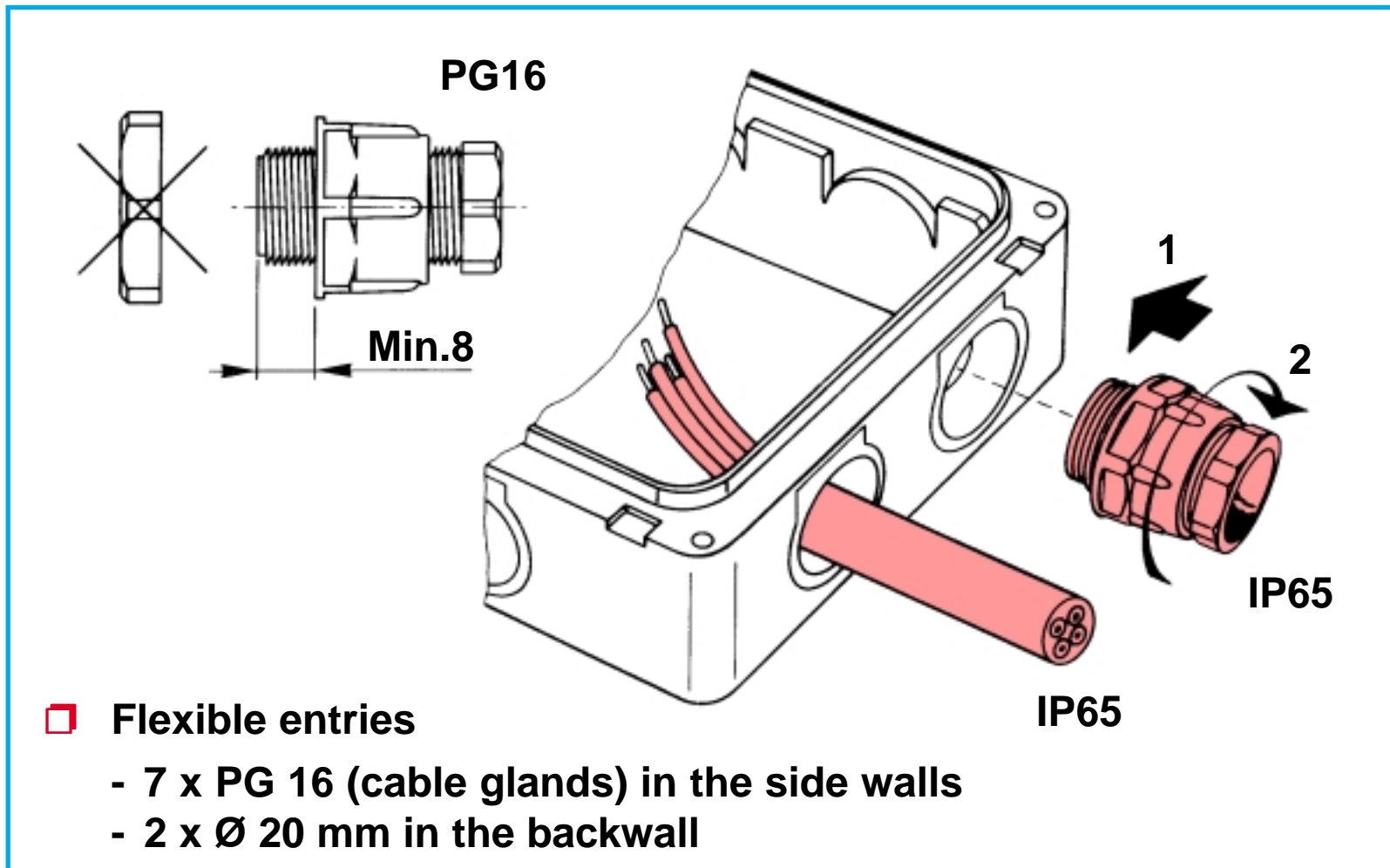
- ❑ Flexible entries make cutting and breaking superfluous
- ❑ Wires, cables and tubes (with max. Ø 20 mm) can be directly inserted
- ❑ Cable glands can be screwed directly into the entries without any joints or screws being necessary





The robust IP65 Junction Box **JB 6**

BASE

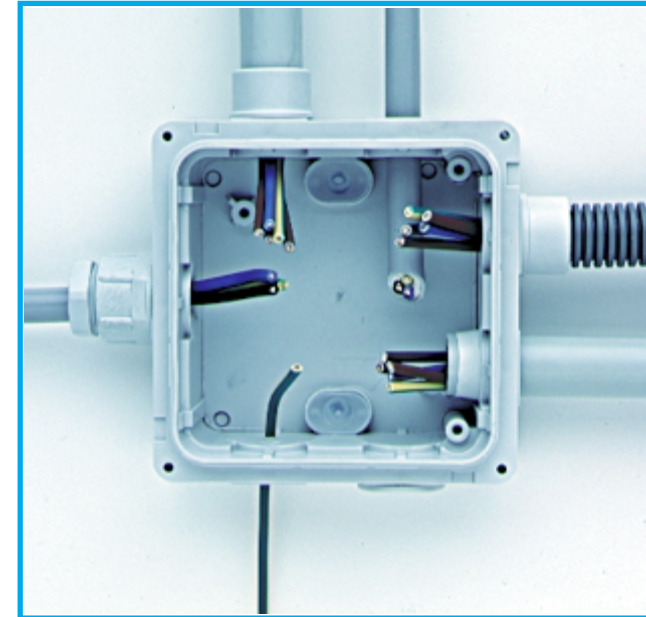
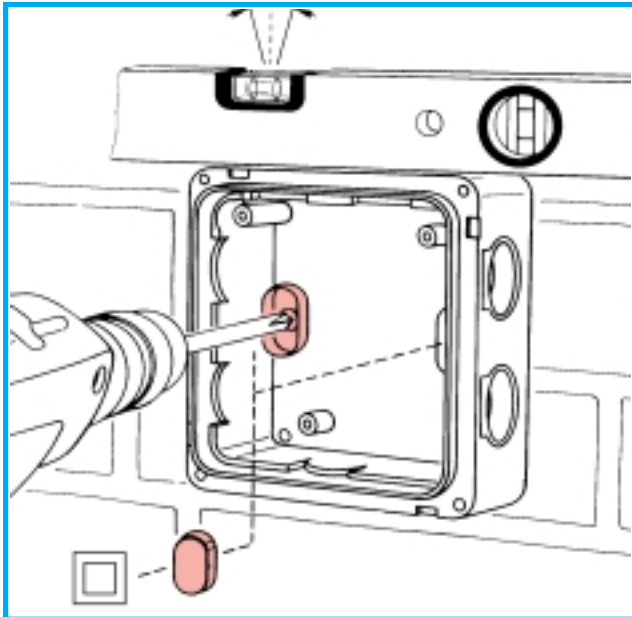




The robust IP65 Junction Box **JB 6**

BASE

- ❑ The double-walled base makes the box extremely rigid
- ❑ Oval fastening points facilitate levelling
- ❑ Substantial space for wiring

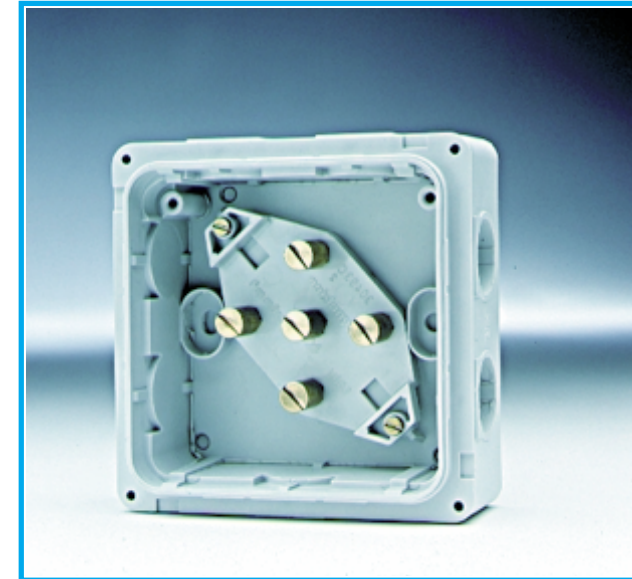




The robust IP65 Junction Box **JB 6**

TERMINAL BLOCK

- ❑ Terminal blocks to make fast and reliable connections can be obtained
- ❑ Two models are available :
 - pen - type
 - hole - type
- ❑ The hole-type terminal block can be screwed diagonally or along a wall

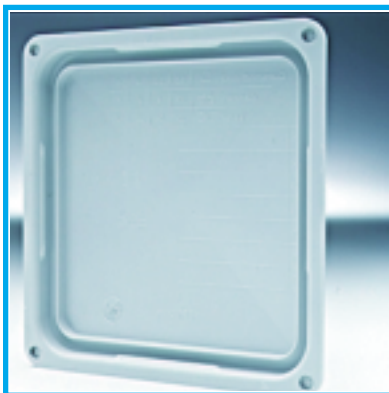




The robust IP65 Junction Box **JB 6**

COVER

- ❑ The cover can be removed quickly and simply using a screwdriver
- ❑ The entries are marked; a table on the inner side of the cover can be used to describe the circuits
- ❑ Fitting the cover is simple and efficient : it simply locks onto the base
- ❑ The cover can be screwed on if necessary

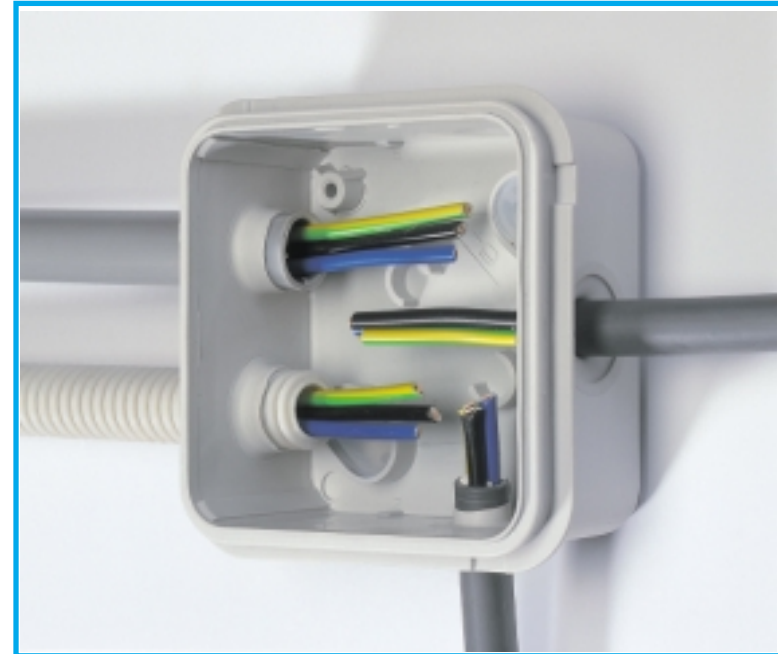




The robust IP65 Junction Box **JB 2.5**

BASE

- ❑ 8 flexible entries, one in the backwall, make cutting and breaking superfluous
- ❑ Wires, cables and tubes can be directly inserted
- ❑ With moulded flexible gasket

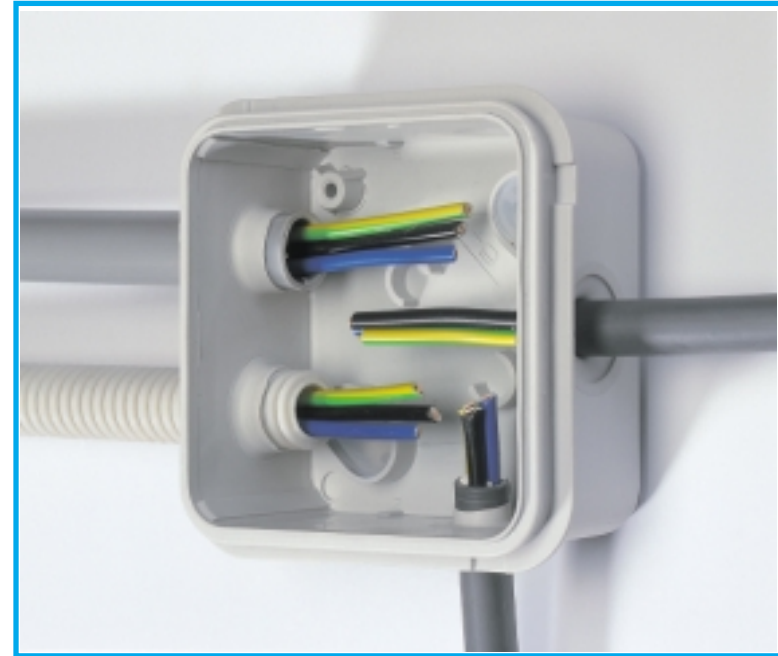




The robust IP65 Junction Box **JB 2.5**

BASE

- ❑ The base makes the box extremely rigid
- ❑ Oval fastening points facilitate leveling
- ❑ Substantial space for wiring
- ❑ Insulation caps = total insulation





The robust IP65 Junction Box **JB 2.5**

TERMINAL BLOCK

- ❑ Terminal blocks to make fast and reliable connections can be obtained
- ❑ Two models are available :
 - pen - type
 - hole - type





The robust IP65 Junction Box **JB 2.5**

COVER


- ❑ The cover can be removed quickly and simply using a screwdriver
- ❑ The entries are marked; a table on the inner side of the cover can be used to describe the circuits
- ❑ Fitting the cover is simple and efficient : it simply locks onto the base





The robust IP65 Junction Box **JB 2.5 & JB 6**

SUPERIOR QUALITY

- ❑ Protection degree IP 65
- ❑ Approvals : CEBEC, VDE and KEMA
- ❑ Total insulation 
- ❑ Rigid
- ❑ High-quality thermoplastic material
- ❑ Halogen-free
- ❑ Reliable entries, even after years
- ❑ Enormous gain of time
- ❑ Flexible entries
- ❑ Lots of wiring space
- ❑ Two types of terminal blocks available
- ❑ Cover fits without screws
- ❑ Simple installation
- ❑ Universal (tubes, cables: **JB 2.5** / tubes, cables and cable glands: **JB 6**)
- ❑ Design : aesthetic look





The robust IP65 Junction Box **JB 2.5 & JB 6**

