

CEM

Motor-side chokes

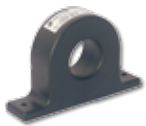


Description

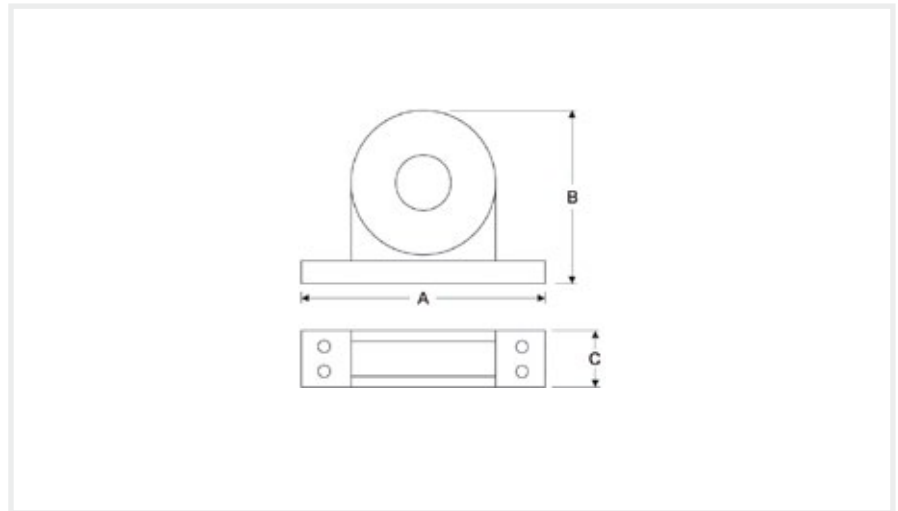
Motor output chokes and ferrites

Application

Decrease excess currents in common mode, which cause the alterations radiated in the cable connecting to the motor, producing interferences in the control systems, data lines, etc.



Dimensions



References

Motor power (kW)	Ø Interior	Weight (g)	Dimensions (mm) A x B x C	Type	Code
2,2	21 mm	80	85 x 46 x 22	CEM - 21	R7Z111
15	28.5 mm	180	105 x 62 x 25	CEM - 28.5	R7Z121
45	50 mm	50	150 x 110 x 50	CEM - 50	R7Z131
>45	58 mm	1 500	200 x 170 x 65	CEM - 58	R7Z141