



Quality products



NEW ECOLOGY

IP65 Distribution enclosures

The IP65 distribution boxes are made from halogen free long-lasting thermoplastic materials of the highest quality, available in two versions: ABS and polycarbonate. They have a large internal space for wiring and modular capacity from 4 up to 54 modules. Designed for internal and external uses where a high degree of protection is required.

Certifications



According to Low Tension Directive 2006/95/CE.
Norms: UNE-EN 62208 IEC 62208:2011.

Product range

Distribution enclosures with 4, 6, 8, 12, 18, 24, 36 y 54 modules.



ABS material

- Protection degree: IP65.
- Impact resistance: IK08.
- Resistance to glow wire: 650°C.
- Ball pressure test: 70°C.
- Range of temperature under normal conditions: -25°C / +40°C.
- Use maximum tension: 1000 V AC/ 1500 V CC.

Materials (halogen free):

- Case, frame and opaque window in ABS RAL 7035.
- Smoked transparent window in polycarbonate.

Polycarbonate material

Recommended for external use: UV protection under ISO standard 4892-2 method A:1000 h.

- Protection degree: IP65.
- Impact resistance: IK08.
- Resistance to glow wire: 650°C.
- Ball pressure test: 70°C.
- Range of temperature under normal conditions: -25°C / +40°C.
- Use maximum tension: 1000 V AC/ 1500 V CC.

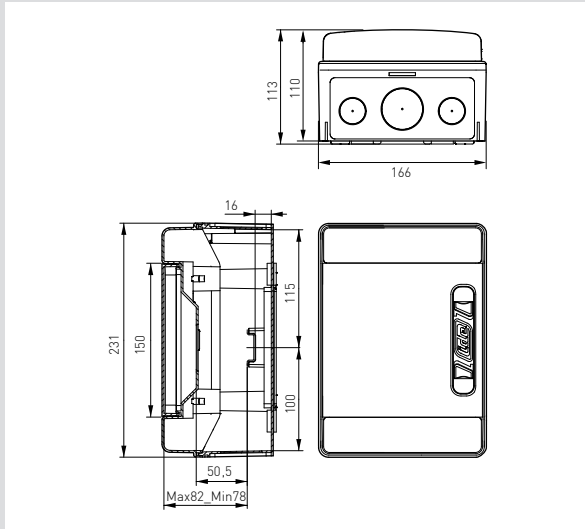
Materials (halogen free):

- Case, frame and opaque window in polycarbonate RAL 7035.
- Smoked transparent window in polycarbonate.

Available in ABS and Polycarbonate, with opaque or transparent window



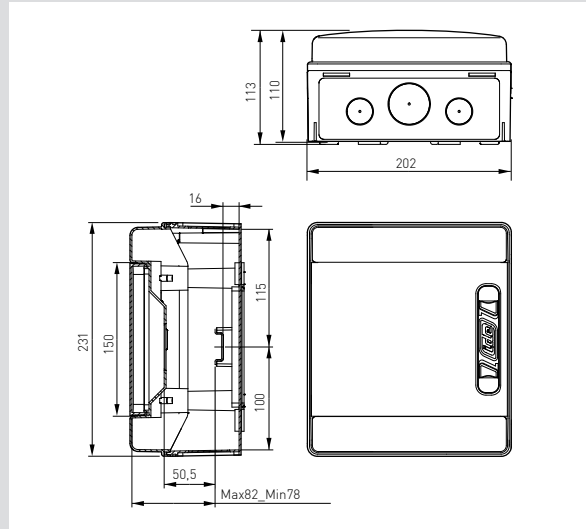
NEW ECOLOGY. 4 MODULES. 1 X 4



CASE AND FRAME	WINDOW	REFERENCE
GREY ABS	TRANSPARENT	CDN4PT
	POLYCARBONATE	CDN4PT/RR
	OPAQUE	CDN4PO
	ABS	CDN4PO/RR
GREY POLYCARBONATE	TRANSPARENT	CDP4PT
	POLYCARBONATE	CDP4PT/RR
	OPAQUE	CDP4PO
	POLYCARBONATE	CDP4PO/RR

IP65 / TYPE: 65S04 - 1X4 modules DIN rail.
CABLE ENTRIES: Sup.: 2xM25 + 1xM40 / Inf.: 2xM25 + 1xM40 / Oblong back: 2xOB25_25.

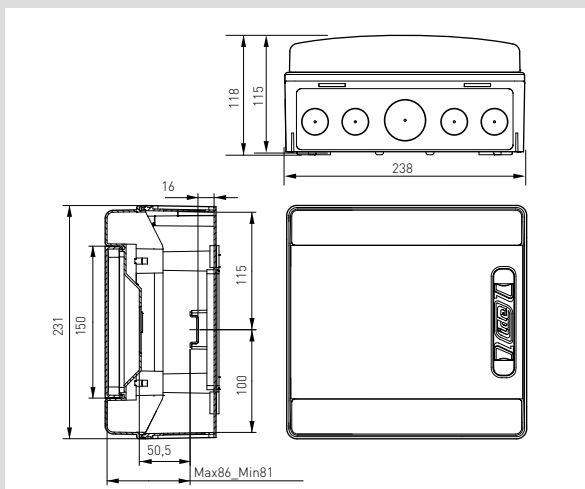
NEW ECOLOGY. 6 MODULES. 1 X 6



CASE AND FRAME	WINDOW	REFERENCE
GREY ABS	TRANSPARENT	CDN6PT
	POLYCARBONATE	CDN6PT/RR
	OPAQUE	CDN6PO
	ABS	CDN6PO/RR
GREY POLYCARBONATE	TRANSPARENT	CDP6PT
	POLYCARBONATE	CDP6PT/RR
	OPAQUE	CDP6PO
	POLYCARBONATE	CDP6PO/RR

IP65 / TYPE: 65S06 - 1X6 modules DIN rail.
CABLE ENTRIES: Sup.: 2xM25 + 1xM40 / Inf.: 2xM25 + 1xM40 / Oblong back: 2xOB25_25.

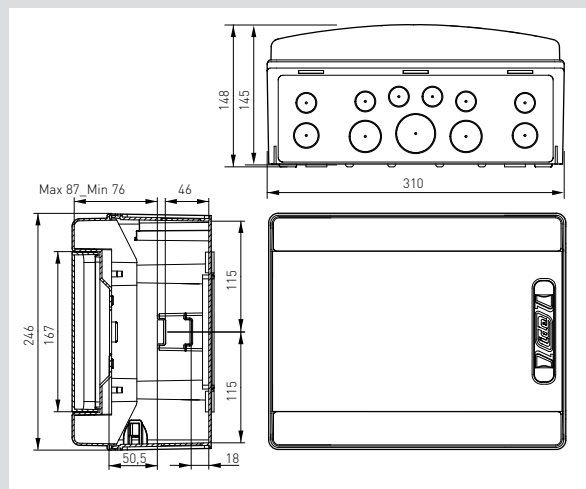
NEW ECOLOGY. 8 MODULES. 1 X 8



CASE AND FRAME	WINDOW	REFERENCE
GREY ABS	TRANSPARENT	CDN8PT
	POLYCARBONATE	CDN8PT/RR
	OPAQUE	CDN8PO
	ABS	CDN8PO/RR
GREY POLYCARBONATE	TRANSPARENT	CDP8PT
	POLYCARBONATE	CDP8PT/RR
	OPAQUE	CDP8PO
	POLYCARBONATE	CDP8PO/RR

IP65 / TYPE: 65S08 - 1X8 modules DIN rail.
CABLE ENTRIES: Sup.: 4xM25 + 1xM40 / Inf.: 4xM25 + 1xM40 / Oblong back: 2xOB25_25.

NEW ECOLOGY. 12 MODULES. 1 X 12

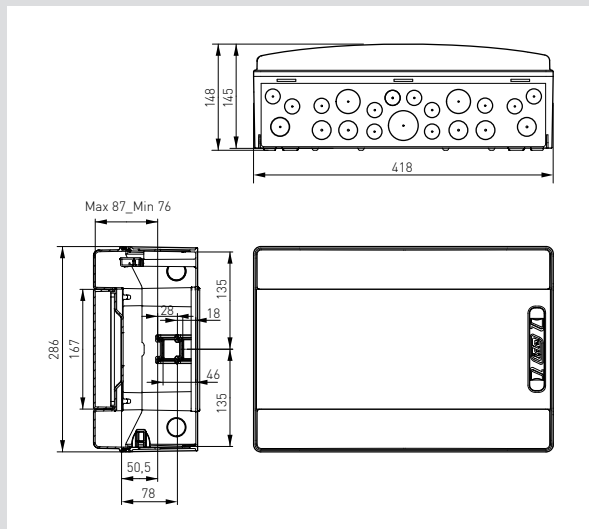


CASE AND FRAME	WINDOW	REFERENCE
GREY ABS	TRANSPARENT	CDN12PT
	POLYCARBONATE	CDN12PT/RR
	OPAQUE	CDN12PO
	ABS	CDN12PO/RR
GREY POLYCARBONATE	TRANSPARENT	CDP12PT
	POLYCARBONATE	CDP12PT/RR
	OPAQUE	CDP12PO
	POLYCARBONATE	CDP12PO/RR

IP65 / TYPE: 65S12 - 1X12 modules DIN rail.
CABLE ENTRIES: Sup.: 6xM20 + 2xM25 + 2xM32 + 1xM40 / Inf.: 6xM20 + 2xM25 + 2xM32 + 1xM40 / Interior: 4xM25 / Oblong back: 2xOB25_32_25.

/RR: References with earth and neutral bars.

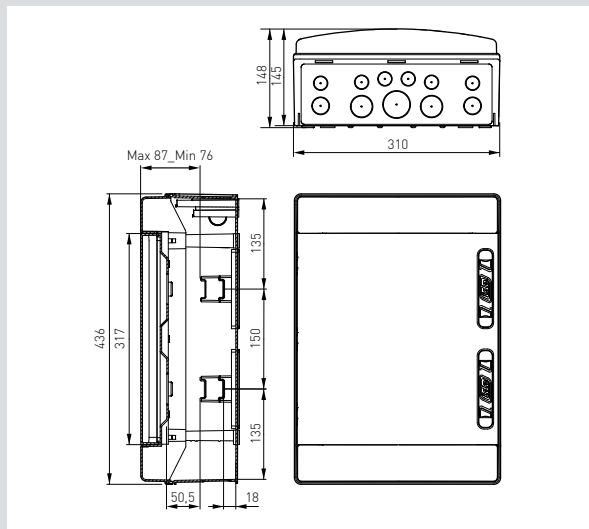
NEW ECOLOGY. 18 MODULES. 1 X 18



CASE AND FRAME	WINDOW	REFERENCE
GREY ABS	TRANSPARENT	CDN18PT
	POLYCARBONATE	CDN18PT/RR
	OPAQUE	CDN18PO
	ABS	CDN18PO/RR
GREY POLYCARBONATE	TRANSPARENT	CDP18PT
	POLYCARBONATE	CDP18PT/RR
	OPAQUE	CDP18PO
	POLYCARBONATE	CDP18PO/RR

IP65 / TYPE: 65S18 - 1X18 modules DIN rail.
CABLE ENTRIES: Sup.: 12xM20 + 6xM25 + 2xM32 + 1xM40 /
 Inf.: 12xM20 + 6xM25 + 2xM32 + 1xM40 / Int.: 4xM25 /
 Oblong back: 1xOB25_32_25.

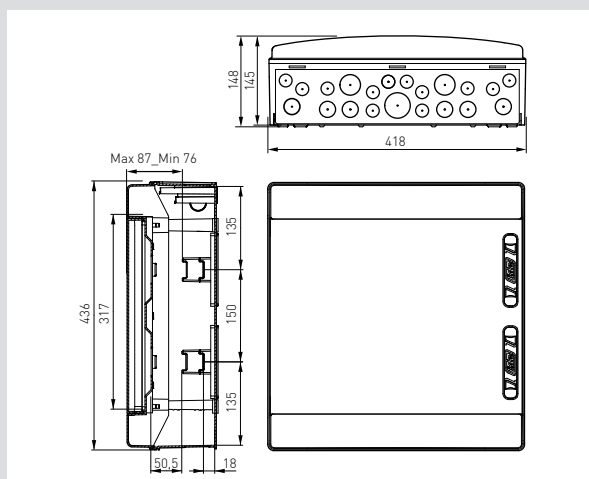
NEW ECOLOGY. 24 MODULES. 2 X 12



CASE AND FRAME	WINDOW	REFERENCE
GREY ABS	TRANSPARENT	CDN24PT
	POLYCARBONATE	CDN24PT/RR
	OPAQUE	CDN24PO
	ABS	CDN24PO/RR
GREY POLYCARBONATE	TRANSPARENT	CDP24PT
	POLYCARBONATE	CDP24PT/RR
	OPAQUE	CDP24PO
	POLYCARBONATE	CDP24PO/RR

IP65 / TYPE: 65S24 - 2X12 (24) modules DIN rail.
CABLE ENTRIES: Sup.: 8xM20 + 2xM25 + 2xM32 + 1xM40 /
 Inf.: 6xM20 + 2xM25 + 2xM32 + 1xM40 / Int.: 4xM25 /
 Oblong back: 2xOB25_32_25.

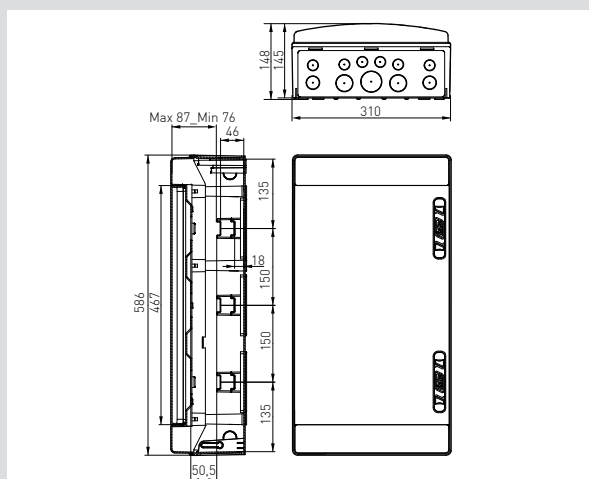
NEW ECOLOGY. 36 MODULES. 2 X 18



CASE AND FRAME	WINDOW	REFERENCE
GREY ABS	TRANSPARENT	CDN36PT2F
	POLYCARBONATE	CDN36PT2F/RR
	OPAQUE	CDN36P02F
	ABS	CDN36P02F/RR
GREY POLYCARBONATE	TRANSPARENT	CDP36PT2F
	POLYCARBONATE	CDP36PT2F/RR
	OPAQUE	CDP36P02F
	POLYCARBONATE	CDP36P02F/RR

IP65 / TYPE: 65S36 - 2x18 (36) modules DIN rail.
CABLE ENTRIES: Sup.: 12xM20 + 6xM25 + 2xM32 + 1xM40 /
 Inf.: 12xM20 + 6xM25 + 2xM32 + 1xM40 / Int.: 4xM25 /
 Oblong back: 2xOB25_32_25.

NEW ECOLOGY. 36 MODULES. 3 X 12

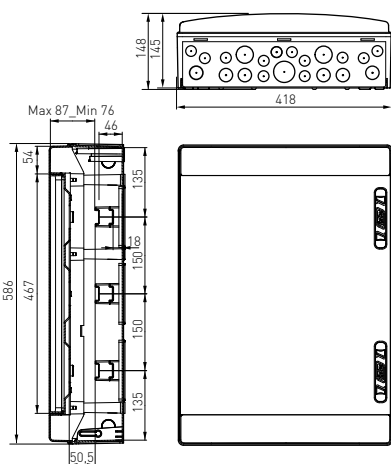


CASE AND FRAME	WINDOW	REFERENCE
GREY ABS	TRANSPARENT	CDN36PT3F
	POLYCARBONATE	CDN36PT3F/RR
	OPAQUE	CDN36P03F
	ABS	CDN36P03F/RR
GREY POLYCARBONATE	TRANSPARENT	CDP36PT3F
	POLYCARBONATE	CDP36PT3F/RR
	OPAQUE	CDP36P03F
	POLYCARBONATE	CDP36P03F/RR

IP65 / TYPE: 65S36 - 3X12 (36) modules DIN rail.
CABLE ENTRIES: Sup.: 8xM20 + 2xM25 + 2xM32 + 1xM40 /
 Inf.: 6xM20 + 2xM25 + 2xM32 + 1xM40 / Int.: 4xM25 /
 Oblong back: 2xOB25_32_25.

/RR: References with earth and neutral bars.

NEW ECOLOGY. 54 MODULES. 3 X 18



CASE AND FRAME	WINDOW	REFERENCE
GREY ABS	TRANSPARENT	CDN54PT
	POLYCARBONATE	CDN54PT/RR
	OPAQUE	CDN54PO
	ABS	CDN54PO/RR
GREY POLYCARBONATE	TRANSPARENT	CDP54PT
	POLYCARBONATE	CDP54PT/RR
	OPAQUE	CDP54PO
	POLYCARBONATE	CDP54PO/RR

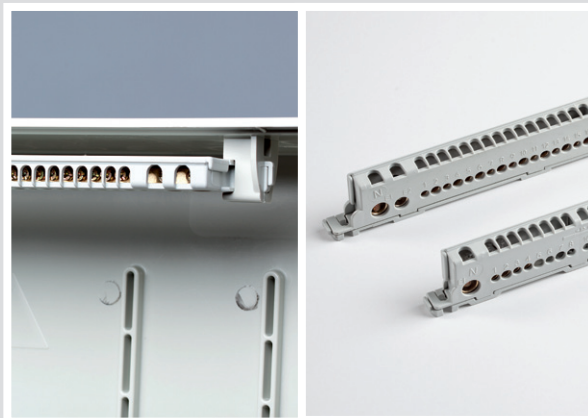
IP65 / TYPE: 65S54 - 3x18 (54) modules DIN rail.
CABLE ENTRIES: Sup.: 12xM20 + 6xM25 + 2xM32 + 1xM40 /
 Inf.: 12xM20 + 6xM25 + 2xM32 + 1xM40 /Int.: 4xM25 /
 Oblong back: 2xOB25_32_25.

/RR: References with earth and neutral bars.

Large internal space for wiring. Modular capacity from 4 up to 54 modules

Estructure for earth and neutral bars

TYPE	REF.	TERMINAL I		TERMINAL II		CONNECTORS
		N	E	N	E	
65S04	87285	4+1	4+1	-	-	2xØ4,5+2xØ5,5+1xØ8,5
65S06	87285	4+1	4+1	-	-	2xØ4,5+2xØ5,5+1xØ8,5
65S08	87286	8+1	8+1	-	-	4xØ4,5+4xØ5,5+1xØ8,5
65S12	87287	2+12	2+12	-	-	6xØ4,5+6xØ5,5+1xØ7,5+1xØ8,5
65S18	87292	2+16	2+16	-	-	8xØ4,5+8xØ5,5+1xØ7,5+1xØ8,5
65S24	87292	2+16	2+16	-	-	8xØ4,5+8xØ5,5+1xØ7,5+1xØ8,5
65S36	87288	2+24	-	-	2+24	12xØ4,5+12xØ5,5+1xØ7,5+1xØ8,5
	87289	-	-	-	-	12xØ4,5+12xØ5,5+1xØ7,5+1xØ8,5
65S54	87290	4+32	-	-	4+32	16xØ4,5+16xØ5,5+2xØ7,5+2xØ8,5
	87291	-	-	-	-	16xØ4,5+16xØ5,5+2xØ7,5+2xØ8,5



Ø 7,5-7 25 mm² - Ø 5,5 16 mm² - Ø 4,5 10 mm²

TECHNICAL CHARACTERISTICS



Case

- Reinforced strip which gives better rigidity.
- Double height case which offer more internal space for wiring and fitting switchgear.
- Pre-moulded cable entries for M40, M32, M25 & M20.
- Case grooves for mounting plates and fixing accessories.
- Sealed screws in four points for easy installation.
- 125A earth and neutral bars with double height available, (only with accessory reference/RR).
- Removable chassis for models with two or more rows.

Window

- Reversible opaque or transparent window with horizontal 180° opening.
- Smoked transparent window which provides UV protection.
- Possibility of key or triangle locks (available as accessories).

